

General Description

The DSC400-1111Q0101 is a four output crystal-less™ clock generator. It utilizes Microchip's proven PureSilicon™ MEMS technology to provide excellent jitter and stability while incorporating additional device functionality.

The frequencies of the outputs can be identical or independently derived from two shared PLLs. Each output may be configured independently to support LVCMOS, LVPECL, LVDS, or HCSL output standards.

The DSC400-1111Q0101 provides two independent select lines for choosing between two sets of pre-configured frequencies per bank. It also has two OE pins to allow for enabling and disabling outputs.

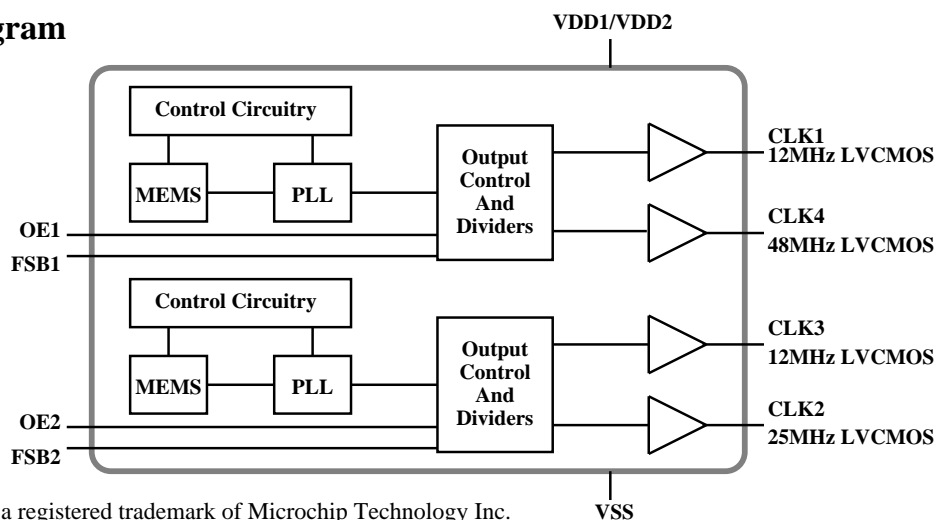
Applications

- Communications and Networks
- Ethernet
 - 1G, 10GBASE-T/KR/LR/SR, and FCoE
- Storage Area Networks
 - SATA, SAS, Fibre Channel
- Passive Optical Networks
 - EPON, 10G-EPON, GPON, 10G-GPON
- HD/SD/SDI Video & Surveillance
- Automotive
- Media and Video
- Embedded and Industrial

Features

- Frequencies and output formats:
 - 12MHz LVCMOS x 2
 - 25MHz LVCMOS x 1
 - 48MHz LVCMOS x 1
- Low RMS phase jitter: <1ps (typ)
- High stability: ±50ppm, ±25ppm
- Wide temperature range
 - Industrial: -40°C to +85°C
 - Ext. commercial: -20°C to +70°C
- High supply noise rejection: -50dBc
- Available pin-selectable frequency table
 - 1 pin per bank for 2 frequency sets
- Excellent shock & vibration immunity
 - Qualified to MIL-STD-883
- High reliability
 - 20x better MTF than quartz based devices
- Supply range of 2.25V to 3.6V
- AEC-Q100 automotive qualified
- 20-pin 5mm x 3.2mm QFN package

Block Diagram



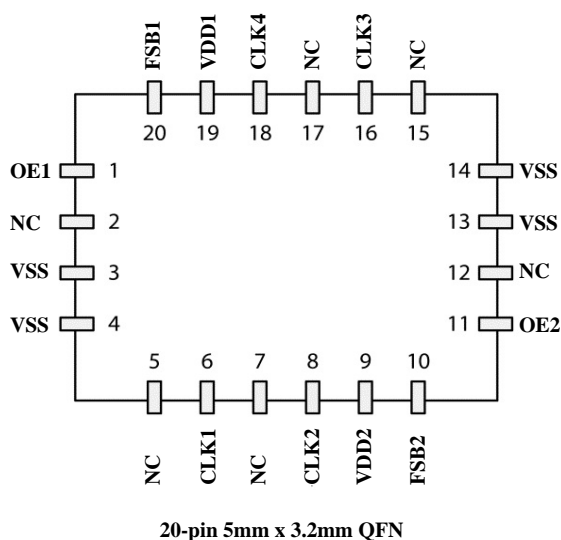
ClockWorks is a registered trademark of Microchip Technology Inc.

Ordering Information

| Ordering Part Number | Temperature Range | High Stability | Shipping | Package |
|----------------------|-------------------|----------------|---------------|------------------------|
| DSC400-1111Q0101KI1 | -40°C to +85°C | ±50ppm | Tube | 20-pin 5mm x 3.2mm QFN |
| DSC400-1111Q0101KI1T | -40°C to +85°C | ±50ppm | Tape and Reel | 20-pin 5mm x 3.2mm QFN |
| DSC400-1111Q0101KI2 | -40°C to +85°C | ±25ppm | Tube | 20-pin 5mm x 3.2mm QFN |
| DSC400-1111Q0101KI2T | -40°C to +85°C | ±25ppm | Tape and Reel | 20-pin 5mm x 3.2mm QFN |
| DSC400-1111Q0101KE1 | -20°C to +70°C | ±50ppm | Tube | 20-pin 5mm x 3.2mm QFN |
| DSC400-1111Q0101KE1T | -20°C to +70°C | ±50ppm | Tape and Reel | 20-pin 5mm x 3.2mm QFN |
| DSC400-1111Q0101KE2 | -20°C to +70°C | ±25ppm | Tube | 20-pin 5mm x 3.2mm QFN |
| DSC400-1111Q0101KE2T | -20°C to +70°C | ±25ppm | Tape and Reel | 20-pin 5mm x 3.2mm QFN |

Devices are Green and RoHS compliant. Sample material may have only a partial top mark.

Pin Configuration



Pin Description

| Pin Number | Pin Name | Pin Type | Pin Function |
|------------|----------|----------|---|
| 1 | OE1 | I | Output enable for Bank 1 (CLK1 and CLK4); active high - see Table 1 |
| 2 | NC | | Leave unconnected or connect to ground |
| 3 | VSS | PWR | Ground |
| 4 | VSS | PWR | Ground |
| 5 | NC | | Leave unconnected or connect to ground |
| 6 | CLK1 | O | LVC MOS output 1 = 12MHz |
| 7 | NC | | Leave unconnected or connect to ground |
| 8 | CLK2 | O | LVC MOS output 2 = 25MHz |
| 9 | VDD2 | PWR | Power supply for Bank 2 (CLK3 and CLK2) |
| 10 | FSB2 | I | Input for selecting pre-configured frequencies on Bank 2 (CLK3 and CLK2) No connect if the function is not used. |
| 11 | OE2 | I | Output enable for Bank 2 (CLK3 and CLK2); active high - see Table 1 |
| 12 | NC | | Leave unconnected or connect to ground |
| 13 | VSS | PWR | Ground |
| 14 | VSS | PWR | Ground |
| 15 | NC | | Leave unconnected or connect to ground |
| 16 | CLK3 | O | LVC MOS output 3 = 12MHz |
| 17 | NC | | Leave unconnected or connect to ground |
| 18 | CLK4 | O | LVC MOS output 4 = 48MHz |
| 19 | VDD1 | PWR | Power supply for Bank 1 (CLK1 and CLK4) |
| 20 | FSB1 | I | Input for selecting pre-configured frequencies on Bank 1 (CLK1 and CLK4) No connect if the function is not used. |

Operational Description

The DSC400-1111Q0101 is a crystal-less™ clock generator. Unlike older clock generators in the industry, it does not require an external crystal to operate; it relies on integrated MEMS resonators that interface with internal PLLs. This technology enhances performance and reliability by allowing tighter frequency stability over a far wider temperature range. In addition, the higher resistance to shock and vibration decreases the aging rate, greatly improving product life in the system.

Inputs

There are 4 input signals in the device. Each has an internal (40kOhms) pull up, which defaults the selection to a high (1). Inputs can be controlled through hardware strapping method with a resistor to ground to assert the input low (0). Inputs may also be controlled by other components' GPIOs. In case more than one frequency set is desired, FSB1 and FSB2 are used for independently selecting one of two sets frequency per bank. FSB1 selects the pre-configured frequency set on Bank 1 (CLK1 and CLK4) and FSB2 selects the pre-configured frequency set on Bank 2 (CLK3 and CLK2). If there is a requirement to disable outputs, the inputs OE1 and OE2 are used to disable the banks of outputs. Outputs are disabled in tristate (Hi-Z) mode, see Table 1 below.

| OE1 | OE2 | Bank 1 (CLK1 and CLK4) | Bank 2 (CLK3 and CLK2) |
|-----|-----|------------------------|------------------------|
| 0 | 0 | Hi-Z | Hi-Z |
| 0 | 1 | Hi-Z | Running |
| 1 | 0 | Running | Hi-Z |
| 1 | 1 | Running | Running |

Table 1. Output Enable (OE) Selection Table

Outputs

The four outputs are grouped into two banks. Each bank is supplied by an independent VDD to allow for optimized noise isolation between the two banks. Each bank provides two synchronous outputs generated by a common PLL:

- Bank 1 is composed of outputs CLK1 and CLK4
- Bank 2 is composed of outputs CLK3 and CLK2

Each output maybe pre-configured independently to be one of the following formats: LVCMOS, LVDS, LVPECL or HCSL. In case the output is configured to be single ended (LVCMOS only), the frequency is generated on the true output (CLKx+) and the complement output (CLKx-) is shut off in a low state. Frequencies can be chosen from 2.3MHz to 460MHz for differential outputs and from 2.3MHz to 170MHz on LVCMOS outputs.

Output Clock Frequencies

| Output | CLK1 | CLK2 | CLK3 | CLK4 |
|-----------------|------|------|------|------|
| Frequency (MHz) | 12 | 25 | 12 | 48 |

Power

VDD1 and VDD2 supply the power to banks 1 and 2 respectively. Each VDD may have different supply voltage from the other as long as it is within the 2.25V to 3.6V range. Each VDD pin should have a 0.1µF capacitor to filter high frequency noise. VSS is common to the entire device. The exposed die paddle should be connected to VSS.

Absolute Maximum Ratings

| Item | Min. | Max. | Units | Condition |
|----------------|------|-----------|-------|------------|
| Supply Voltage | -0.3 | +4.0 | V | |
| Input Voltage | -0.3 | VDD + 0.3 | V | |
| Junction Temp | - | +150 | °C | |
| Storage Temp | -55 | +150 | °C | |
| Soldering Temp | - | +260 | °C | 40sec max. |
| ESD | | | | |
| HBM | - | 4000 | V | |
| MM | | 400 | | |
| CDM | | 1500 | | |

1000+ years of data retention on internal memory

Specifications (Unless specified otherwise: Ta = 25°C, VDD = 3.3V)

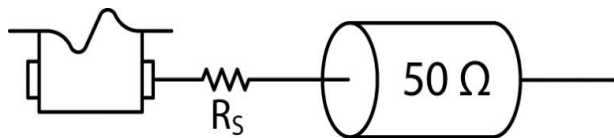
| Parameter | Symbol | Condition | Min. | Typ. | Max. | Unit |
|------------------------------------|------------------|--|------------|------|----------------------|-------|
| Supply Voltage ¹ | VDD | | 2.25 | | 3.6 | V |
| Supply Current - Core ² | IDDCore | OE (1:2) = 0 All outputs are disabled | | 40 | 44 | mA |
| Frequency Stability | ΔF | All temp and VDD ranges | | | ± 50 ± 25 | ppm |
| Aging - first year | ΔF_{y1} | 1 year @ 25°C | | | ± 5 | ppm |
| Aging - after first year | ΔF_{y2+} | Year 2 and beyond @ 25°C | | | < ± 1 /yr | ppm |
| Startup Time ³ | tSU | T = 25°C | | | 5 | ms |
| Input Logic Levels | | | | | | |
| Input Logic High | VIH | | 0.75 x VDD | | - | V |
| Input Logic Low | VIL | | - | | 0.25 x VDD | |
| Output Disable Time ⁴ | tDA | OE(1:2) transition from 1 to 0 | | | 5 | ns |
| Output Enable Time ⁴ | tEN | OE(1:2) transition from 0 to 1 | | | 20 | ns |
| Pull-Up Resistor | Rpu | All input pins have an internal pull-up | | 40 | | kOhms |

Notes:

- VDD pins should be filtered with 0.1 μ F capacitor connected between VDD and VSS.
- The addition of IDDCore and IDDio provides total current consumption of the device.
- tSU is time to 100ppm stable output frequency after VDD is applied and outputs are enabled.
- Output Waveform figures below the parameters. See Output Waveform section.

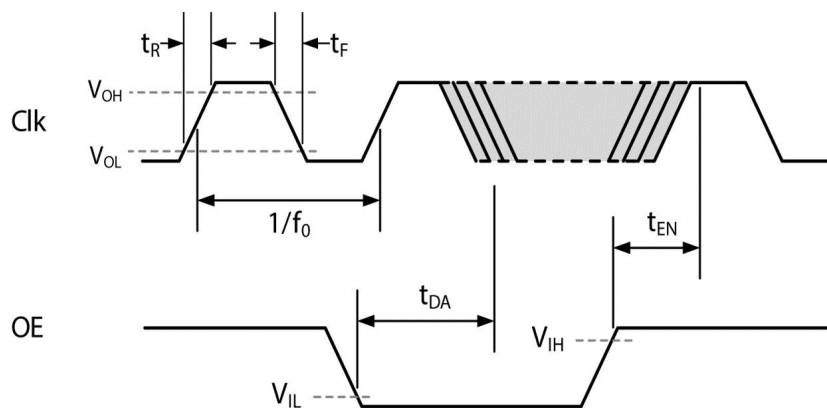
| LVCMOS Outputs | | | | | | |
|---|----------------------|--|----------------|----------------------|----------------|-------|
| Output Logic Levels Output Logic High Output Logic Low | VOH VOL | I = ±6mA | 0.9 x VDD - | | - 0.1 x VDD | V |
| Output Transition Time ³ Rise Time Fall Time | tR tF | 20% to 80% CL = 15pF | | 1.1 1.3 | 2 2 | ns |
| Frequency | f1 f2 f3 f4 | CLK1 CLK2 CLK3 CLK4 | | 12 25 12 48 | | MHz |
| Output Duty Cycle | SYM | Differential | 45 | | 55 | % |
| Supply Current - IO ² | IDDIo | Per output at 125MHz, CL = 15pF | | 11 | 14 | mA |
| Period Jitter | JPER | CLK(1:4) = 125MHz | | 3 | | psRMS |
| Integrated Phase Noise | JPH | 200kHz to 20MHz @ 156.25MHz 100kHz to 20MHz @ 156.25MHz 12kHz to 20MHz @ 156.25MHz | | 0.3 0.38 1.7 | 2 | psRMS |

LVCMOS Typical Termination Scheme



R_S is a series resistor implemented to match the trace impedance to that of the clock output. Depending on the board layout, the value may range from 0 to 270ohms.

LVCMOS Output Waveform



Connection Diagram

The connection Diagram below includes recommended capacitors to be placed on each VDD for noise filtering.



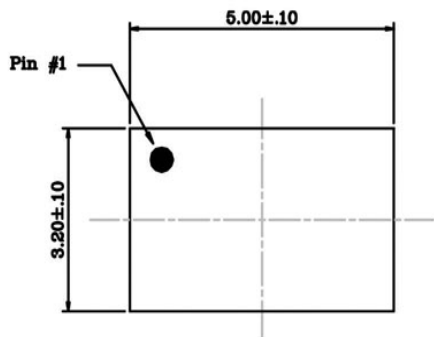
Solder Reflow Profile



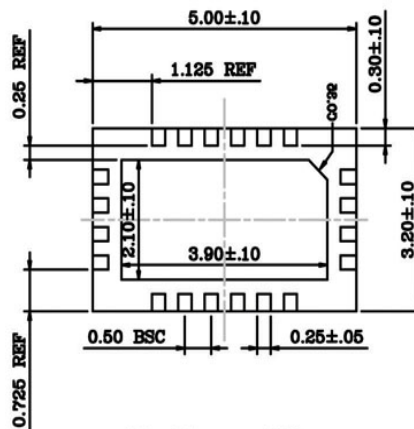
MSL 1 @ 260°C refer to JSTD-020C

| | |
|-----------------------------------|--------------|
| Ramp-Up Rate (200°C to Peak Temp) | 3°C/sec Max. |
| Preheat Time 150°C to 200°C | 60 - 180 sec |
| Time maintained above 217°C | 60 - 150 sec |
| Peak Temperature | 255 - 260°C |
| Time within 5°C of actual Peak | 20 - 40 sec |
| Ramp-Down Rate | 6°C/sec Max. |
| Time 25°C to Peak Temperature | 8 min Max. |

Package Information



Top View



Bottom View



Side View



Recommended Land Pattern

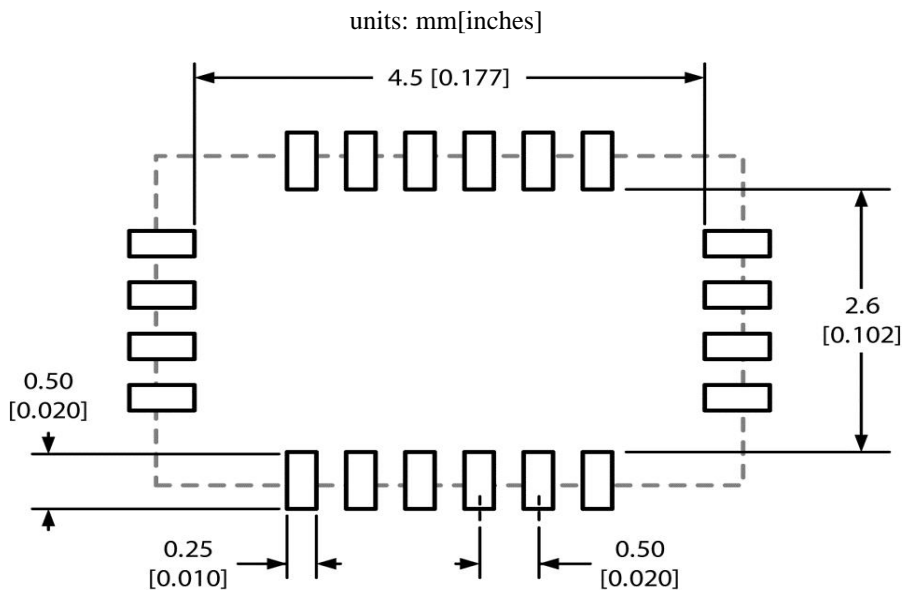
NOTE:

1. Green shaded rectangles in Recommended Land Pattern are solder stencil opening.
2. Red shaded rectangle in Recommended Land Pattern is keep-out area.

20 QFN, 5.0mm x 3.2mm Package

Recommended Solder Pad layout

Connect the center pad to ground plane for best thermal performance.



Microchip makes no representations or warranties with respect to the accuracy or completeness of the information furnished in this data sheet. This information is not intended as a warranty and Microchip does not assume responsibility for its use. Microchip reserves the right to change circuitry, specifications and descriptions at any time without notice. No license, whether express, implied, arising by estoppel or otherwise, to any intellectual property rights is granted by this document. Except as provided in Microchip's terms and conditions of sale for such products, Microchip assumes no liability whatsoever, and Microchip disclaims any express or implied warranty relating to the sale and/or use of Microchip products including liability or warranties relating to fitness for a particular purpose, merchantability, or infringement of any patent, copyright or other intellectual property right.

Microchip products are not designed or authorized for use as components in life support appliances, devices or systems where malfunction of a product can reasonably be expected to result in personal injury. Life support devices or systems are devices or systems that (a) are intended for surgical implant into the body or (b) support or sustain life, and whose failure to perform can be reasonably expected to result in a significant injury to the user. A Purchaser's use or sale of Microchip Products for use in life support appliances, devices or systems is a Purchaser's own risk and Purchaser agrees to fully indemnify Microchip for any damages resulting from such use or sale.

© 2017 Microchip Technology Inc.